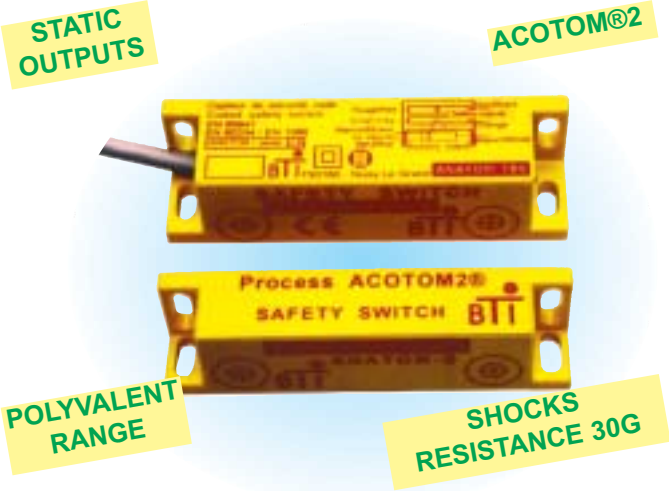


ANATOM 6S-78S-98S WITH Awax safety module

CODED NON-CONTACT SAFETY SWITCH FOR MOVING PROTECTORS OF DANGEROUS MACHINES

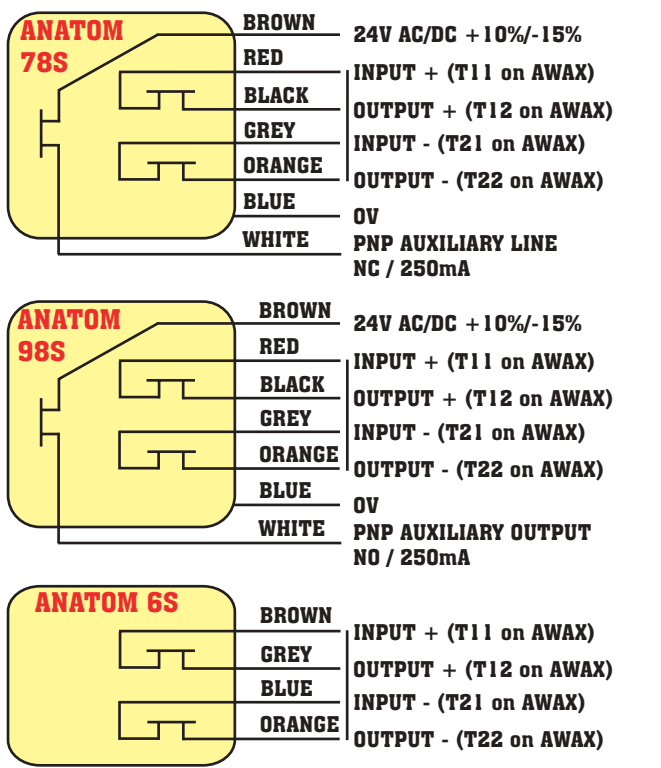
- Decoding by Acotom2 process
- Misalignment : ± 7 mm of length
- Detecting distance/hysteresis : 10 /+2 (mm)
- Auxiliary output for automation control
- LED indication of switch condition
- Available with M12 connector (ANATOM78SMKT)
- Protection class IP67
- Temperature -20°C to +60°C



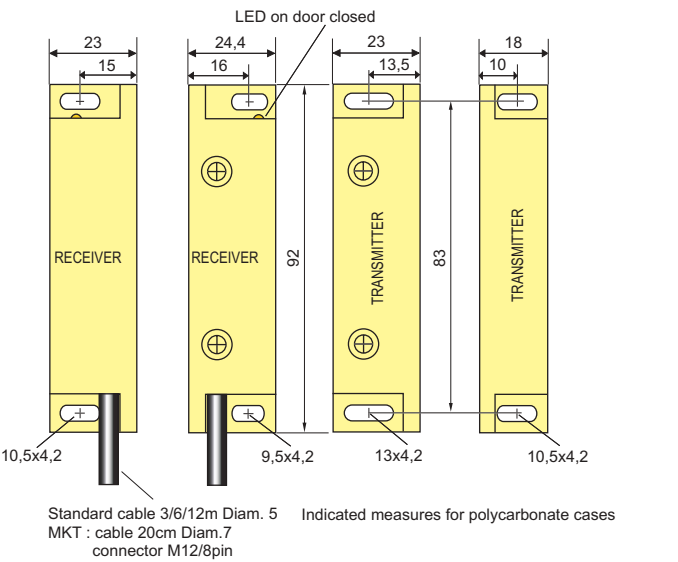
SAFETY CATEGORY

Anatom6S/78S/98S : EN60947-5-3
 1 Anatom6S/78S/98S with Awax : category 4
 Anatom78S/98S in series with Awax : category 3
 Anatom6S in series with Awax : category 2

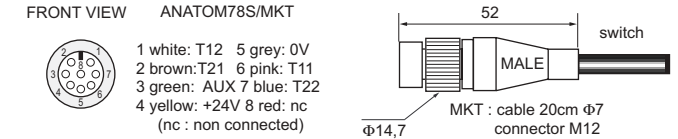
WIRING DIAGRAM



DIMENSIONS



PIN DETAILS OF MKT CONNECTOR



ADVICE

Up to 30 switches (5 max in case of Anatom6S) with one AWAX. Fits to strong vibration and high-speed machines. The auxiliary output is compatible with PLCs.